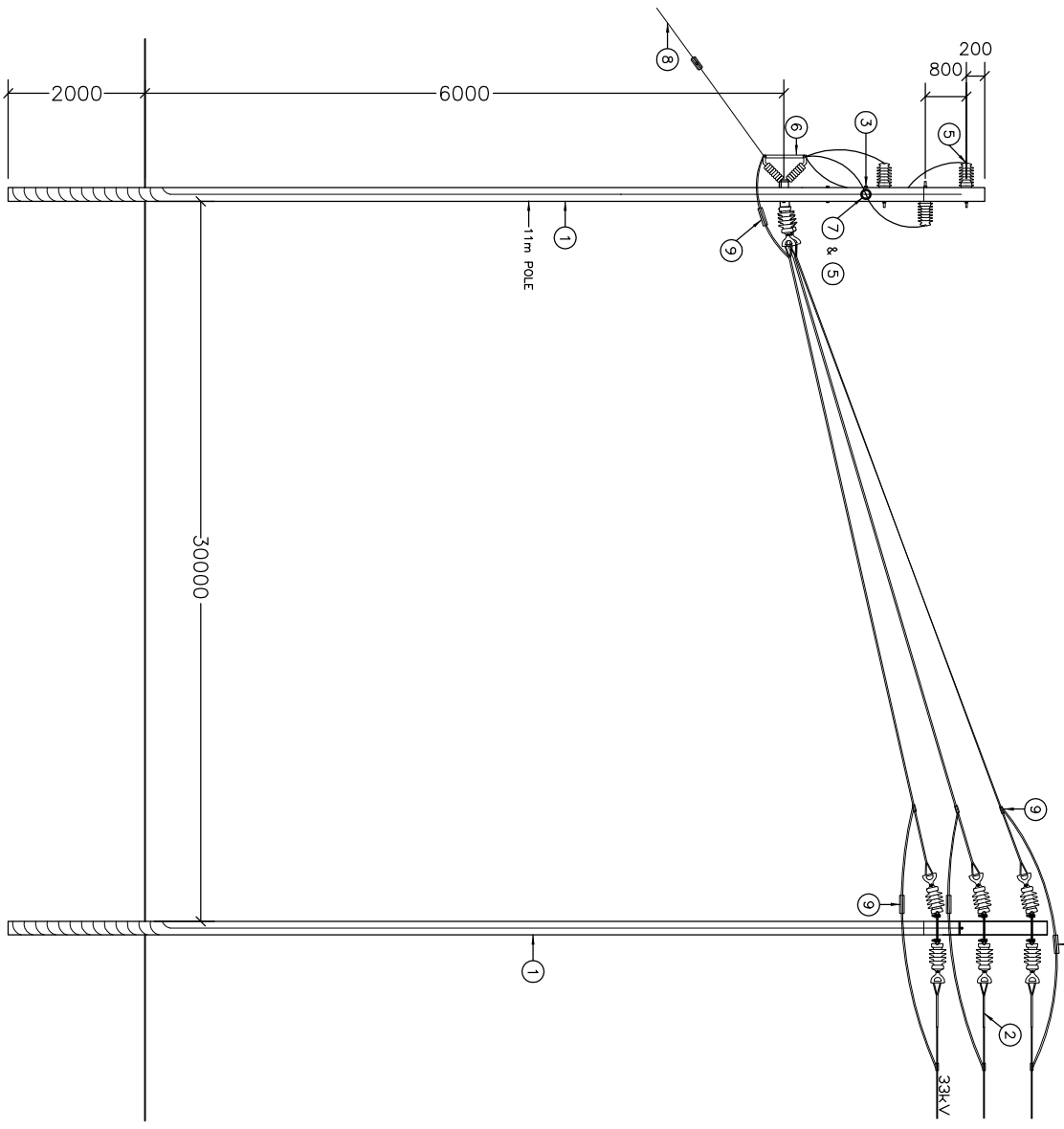


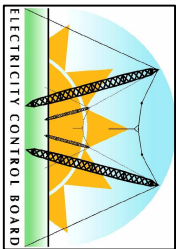
COPYRIGHT © 2009 EMCON  
 ALL RIGHTS RESERVED. NO PART OF THIS PUBLICATION MAY BE REPRODUCED STORED IN A RETRIEVAL SYSTEM OR TRANSMITTED IN ANY FORM OR BY ANY MEANS, ELECTRONIC, MECHANICAL, PHOTOCOPYING, RECORDING OR OTHERWISE, WITHOUT THE PERMISSION IN WRITING FROM EMCON.



ITEM	DESCRIPTION	QTY	REMARKS
1	WOODEN POLE	2	11m LONG TOP 220mm $\phi$
2	LONGROD INSULATOR	9	SEE DWG NO. STD-MVAF-13
3	CROSS-ARM	2	SEE DWG NO. STD-MVAF-13
4	JUMPERS	9x1.5m	
5	LINEPOST INSULATOR	5	33kV
6	DROP-OUT FUSE 33kV	3	C/W FUSES - MCGRAW
7	SIDE TIES	5	
8	MV STAY ASSEMBLY	12	SEE DWG NO. STD-MVAF-04
9	PG CLAMP	3	

- NOTES:**
1. ALL JUMPERS SHALL BE GOPHER BARE ALUMINIUM CONDUCTOR.
  2. 11m WOODEN POLES SHALL BE USED FOR A T-OFF ACROSS A ROAD.
  3. ALUMINIUM OXIDE GREASE SHALL BE USED ON ALL CLAMPS FOR CORROSION PROTECTION.
  4. THE CROSS-ARM SHALL BE EARTHED.

**ELECTRICITY CONTROL BOARD**



Box 2923  
 Windhoek  
 NAMIBIA  
 Tel: (061) 374300  
 Fax: (061) 374305

**DRAWING TITLE**  
 MEDIUM VOLTAGE BARE OVERHEAD  
 DISTRIBUTION: T-OFF STRUCTURE WITH DOF  
 FOR STAGGERED VERTICAL DELTA  
 CONFIGURATION  
 -NETWORK OUTSIDE VILLAGES-

<b>DESIGNED:</b> A.K	<b>DRAWN:</b> J.W.S	<b>REV:</b> 01-2001
<b>DRAWING No:</b> STD-MVSD-33kV-19	<b>SCALE:</b> N.T.S	



ERROR: syntaxerror  
OFFENDING COMMAND: --nostringval--

STACK:

/Title  
( )  
/Subject  
(D:20100127114809+02'00')  
/ModDate  
( )  
/Keywords  
(PDFCreator Version 0.9.5)  
/Creator  
(D:20100127114809+02'00')  
/CreationDate  
(johnny)  
/Author  
-mark-