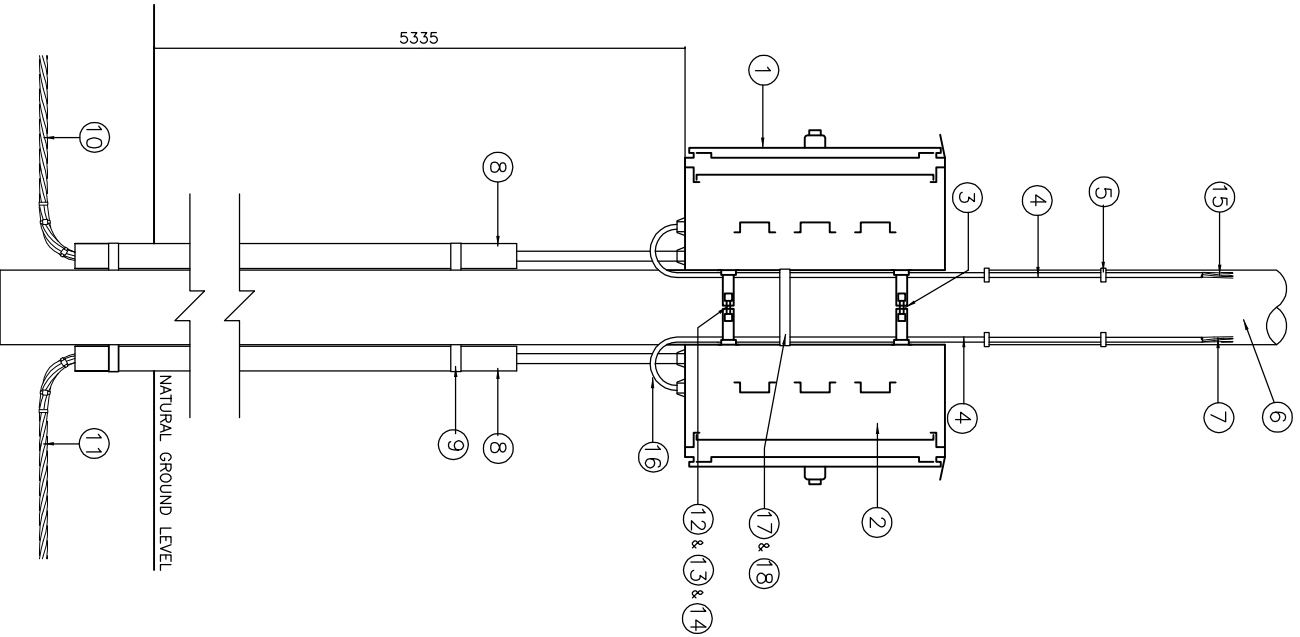


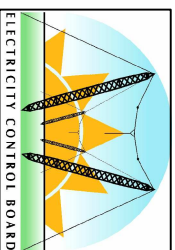
COPYRIGHT © 2009 EMCON
 ALL RIGHTS RESERVED. NO PART OF THIS PUBLICATION MAY BE REPRODUCED STORED IN A RETRIEVAL SYSTEM OR TRANSMITTED IN ANY FORM OR BY ANY MEANS, ELECTRONIC, MECHANICAL, PHOTOCOPYING, RECORDING OR OTHERWISE, WITHOUT THE PERMISSION IN WRITING FROM EMCON.



ITEM	DESCRIPTION	QTY	REMARKS
1	POLE MOUNTED DB	1	WEATHERPROOF. GALVANISED
2	STREETLIGHTING METERBOARD	1	WEATHERPROOF. GALVANISED
3	BRACKET	1	G/W BOARD
4	KICK PIPE	2	HOPK 50mm ϕ . CLASS 6
5	SADDLES	10	50mm ϕ GALVANISED
6	WOODEN POLE	9m LONG WITH TOP 140mm	AS SPECIFIED
7	STREETLIGHT FEEDER TO LINE	7m	20mm ϕ GALVANISED
8	KICK PIPE	14	20mm ϕ GALVANISED
9	POLE DB EARTH	5m	70mm BARE COPPER EARTH WIRE
10	METERBOARD EARTH	5m	70mm BARE COPPER EARTH WIRE
11	BOLTS	2	100mm x 16mm ϕ
12	NUTS	2	M16 G/W FSHPLTS. WSHRS. NUTS
13	WASHERS	4	M16 G/W FSHPLTS. WSHRS. NUTS
14	SUPPLY FROM TRANSFORMER	3m	AS SPECIFIED
15	16mm 2 STREETLIGHT FEEDER	3m	HEAT SHRINK SLEEVE
16	CONDUCTOR Cu	0.5m	50mm ϕ
17	GALVANISED SLEEVE	4	50mm ϕ
18	LOCK NUTS		

NOTES:

ELECTRICITY CONTROL BOARD



Box 2923
 Windhoek
 NAMIBIA
 Tel: (061) 374300
 Fax: (061) 374305

DRAWING TITLE

LOW VOLTAGE AERIAL BUNDLED
 CONDUCTOR DISTRIBUTION:
 POLE MOUNTED DISTRIBUTION BOARD
 AND STREETLIGHTING MDB

DESIGNED: A.K DRAWN: J.W.S REV: 01-2001
 DRAWING No: STD-LVABC-33 SCALE: N.T.S

ERROR: syntaxerror
OFFENDING COMMAND: --nostringval--

STACK:

/Title
()
/Subject
(D:20100127100527+02'00')
/ModDate
()
/Keywords
(PDFCreator Version 0.9.5)
/Creator
(D:20100127100527+02'00')
/CreationDate
(johnny)
/Author
-mark-