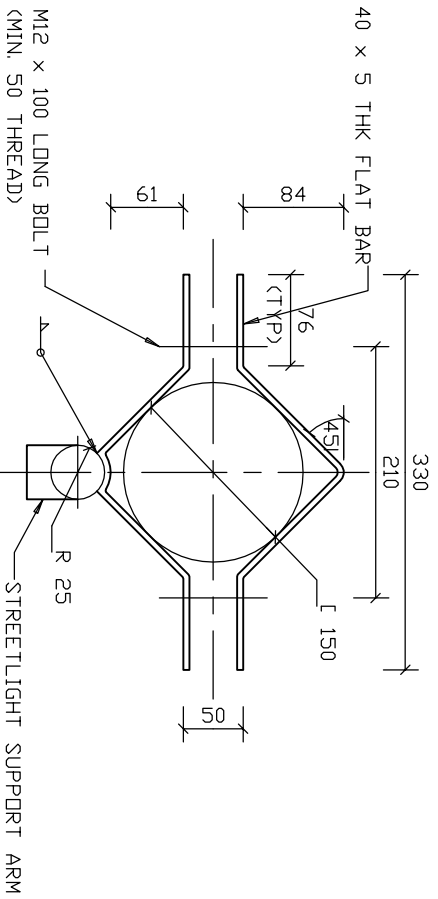
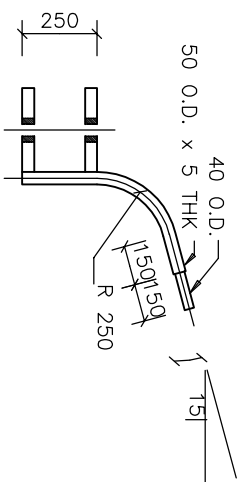
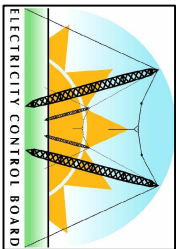


COPYRIGHT © 2009 EMCOR
 ALL RIGHTS RESERVED. NO PART OF THIS PUBLICATION MAY
 BE REPRODUCED STORED IN A RETRIEVAL SYSTEM OR
 TRANSMITTED IN ANY FORM OR BY ANY MEANS, ELECTRONIC,
 ELECTROSTATIC, MAGNETIC TAPE, MECHANICAL, PHOTOCOPIING
 RECORDING OR OTHERWISE, WITHOUT THE PERMISSION IN
 WRITING FROM EMCOR.



ITEM	DESCRIPTION	QTY	REMARKS

NOTES:

ELECTRICITY CONTROL BOARD			
 <p>ELECTRICITY CONTROL BOARD</p>			
<p>Box 2923 Windhoek NAMIBIA</p> <p style="text-align: right;">Tel: (061) 374300 Fax: (061) 374305</p>			
DRAWING TITLE			
<p>LOW VOLTAGE AERIAL BUNDLED CONDUCTOR DISTRIBUTION: 150mm STREETLIGHT SUPPORT ARM FOR WOODEN POLES</p>			
DESIGNED: A.K	DRAWN: J.W.S	REV: 01-2001	
DRAWING No: STD-LVABC-31			
SCALE: N.T.S			

ERROR: syntaxerror
OFFENDING COMMAND: --nostringval--

STACK:

/Title
()
/Subject
(D:20100127101751+02'00')
/ModDate
()
/Keywords
(PDFCreator Version 0.9.5)
/Creator
(D:20100127101751+02'00')
/CreationDate
(johnny)
/Author
-mark-