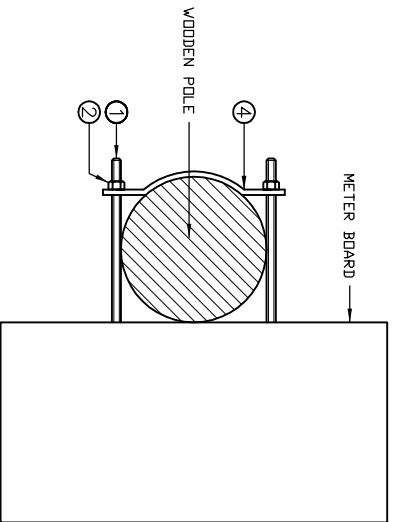
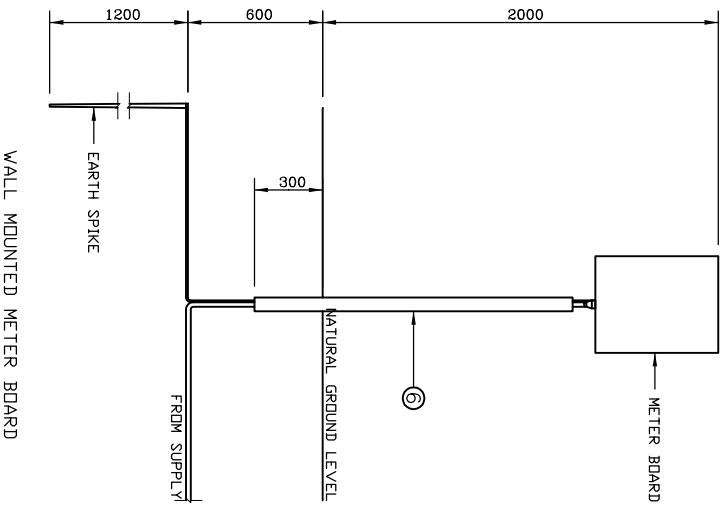


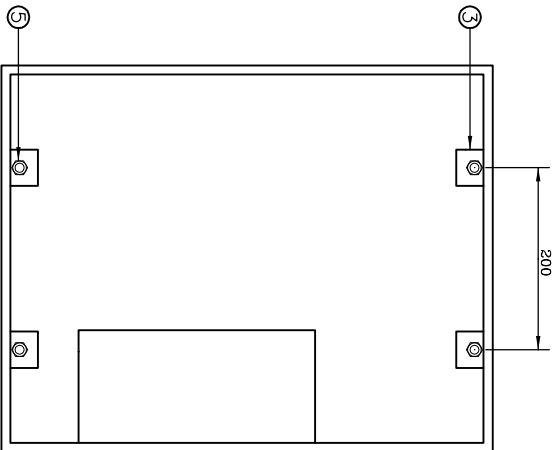
POLE MOUNTING BRACKET DETAIL



POLE MOUNTED METER BOARD



WALL MOUNTED METER BOARD



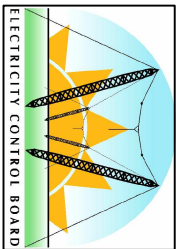
DRILLING OF METER BOARD

COPYRIGHT © 2009 EMCN
 ALL RIGHTS RESERVED. NO PART OF THIS PUBLICATION MAY BE REPRODUCED STORED IN A RETRIEVAL SYSTEM OR TRANSMITTED IN ANY FORM OR BY ANY MEANS, ELECTRONIC, MECHANICAL, PHOTOCOPYING, RECORDING OR OTHERWISE, WITHOUT THE PERMISSION IN WRITING FROM EMCN.

ITEM	DESCRIPTION	QTY	REMARKS
1	STUDS	4	M10x280mm
2	NUTS	4	M10
3	WASHERS	4	50x50x2mm
4	MOUNTING BRACKETS	2	50x60mm GALVANISED MILD STEEL
5	WALL MOUNTING OF METERBOARD		
3	WASHERS	4	50x50x2mm FISHPLATES
5	RAWL BOLTS	4	M18x60mm
6	TRUNKING	1.5m	UNISTRUIT P9000

- NOTES:**
1. UNDER NO CIRCUMSTANCES MAY THE WOODEN POLE BE CUT FOR POLE.
 2. MOUNTING OF THE METERBOARD.

ELECTRICITY CONTROL BOARD



Box 2923
 Windhoek
 NAMIBIA
 Tel: (061) 374300
 Fax: (061) 374305

**LOW VOLTAGE DISTRIBUTION:
 METERBOARD MOUNTING DETAILS**

DESIGNED: A.K	DRAWN: J.W.S	REV: 01-2001
DRAWING No: STD-LVABC-24		SCALE: N.T.S

ERROR: syntaxerror
OFFENDING COMMAND: --nostringval--

STACK:

/Title
()
/Subject
(D:20100127103545+02'00')
/ModDate
()
/Keywords
(PDFCreator Version 0.9.5)
/Creator
(D:20100127103545+02'00')
/CreationDate
(johnny)
/Author
-mark-