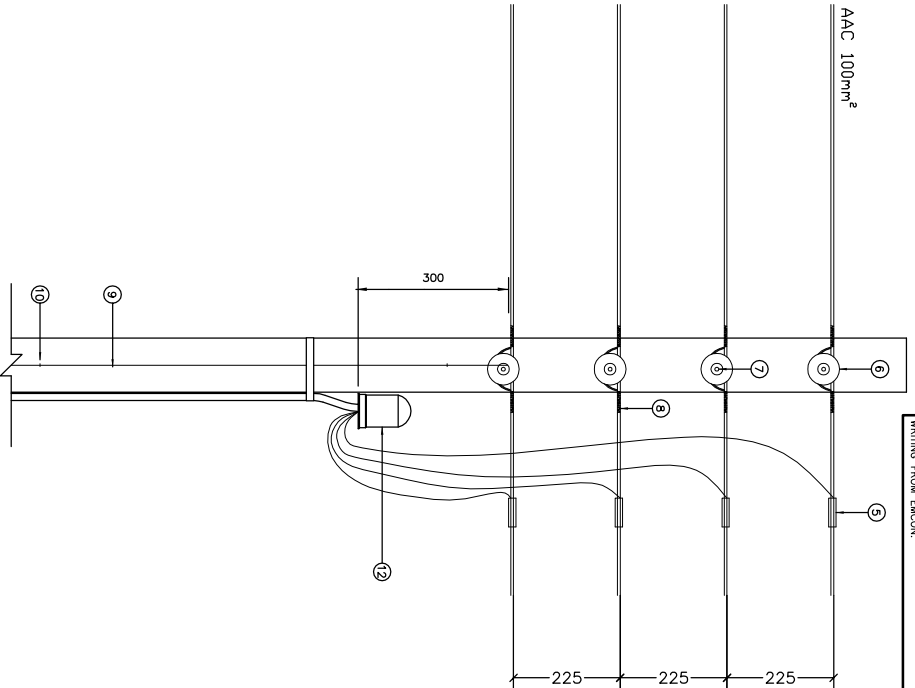
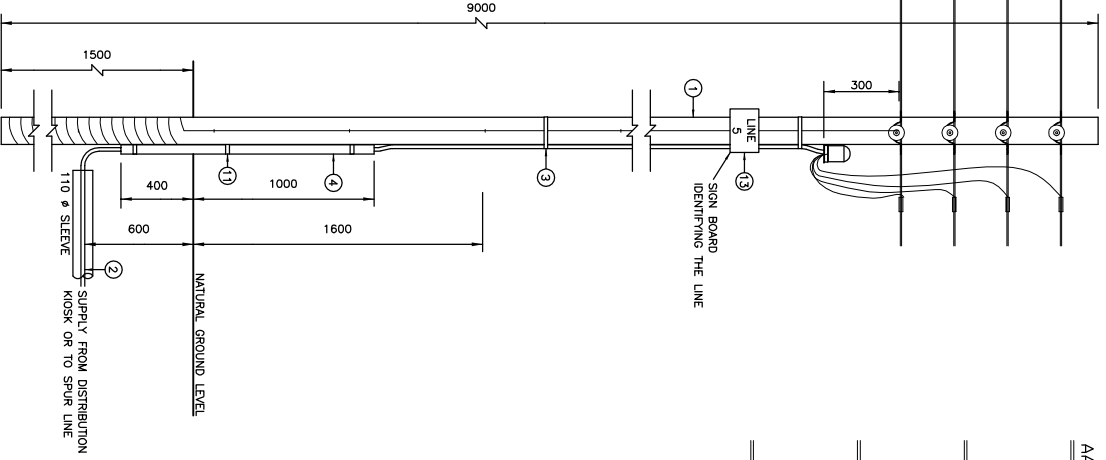


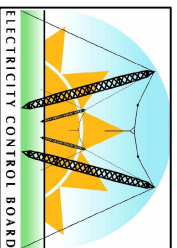
COPYRIGHT © 2009 EMCOR  
 ALL RIGHTS RESERVED. NO PART OF THIS PUBLICATION MAY BE REPRODUCED STORED IN A RETRIEVAL SYSTEM OR TRANSMITTED IN ANY FORM OR BY ANY MEANS, INCLUDING ELECTRONIC, MECHANICAL, PHOTOCOPYING, RECORDING OR OTHERWISE, WITHOUT THE PERMISSION IN WRITING FROM EMCOR.



ITEM	DESCRIPTION	QTY	REMARKS
1	WOODEN POLE	1	9m LONG WITH TOP 180mm <sup>2</sup> SIZE AND LENGTH AS REQUIRED
2	SUPPLY CABLE	-	20x0.7mm STAINLESS STEEL
3	BAND-IT STRAPPING	3m	50mm <sup>2</sup> HDPE CLASS 6
4	KICK PIPE	4	
5	PG CLAMP	4	
6	WHITE GLAZED PORCELAIN REEL	4	
7	INSULATOR	4	
8	BOLT, WASHERS AND NUT	4	
9	SIDE TIE	4	
10	POLE EARTH CONDUCTOR	30	3/4.00mm <sup>2</sup> GALV. STEEL WIRE
11	GALV. SADDLES	5	3x32mm HOT DIPPED GALVANISED
12	CABLE HOOD	1	POLE BOX
13	SIGN BOARD	1	SEE DRAWING STD-LVABC-28

NOTES:

**ELECTRICITY CONTROL BOARD**



Box 2923  
 Windhoek  
 NAMIBIA  
 Tel: (061) 374300  
 Fax: (061) 374305

**DRAWING TITLE**

**LOW VOLTAGE BARE OVERHEAD CONDUCTOR  
 DISTRIBUTION, INTERMEDIATE POLE WITH  
 TAP-IN CONNECTION**

<b>DESIGNED:</b> A.K	<b>DRAWN:</b> J.W.S	<b>REV:</b> 01-2001
<b>DRAWING No:</b> STD-LVBOH-11	<b>SCALE:</b> N.T.S	



ERROR: syntaxerror  
OFFENDING COMMAND: --nostringval--

STACK:

/Title  
( )  
/Subject  
(D:20100127094244+02'00')  
/ModDate  
( )  
/Keywords  
(PDFCreator Version 0.9.5)  
/Creator  
(D:20100127094244+02'00')  
/CreationDate  
(johnny)  
/Author  
-mark-